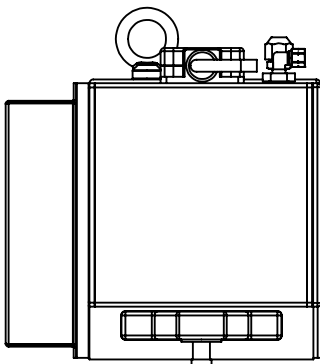
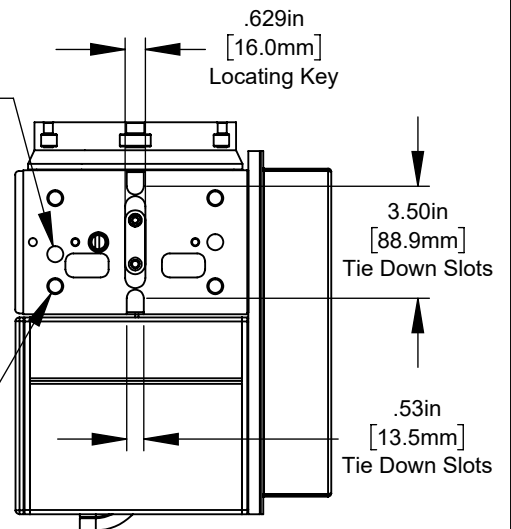


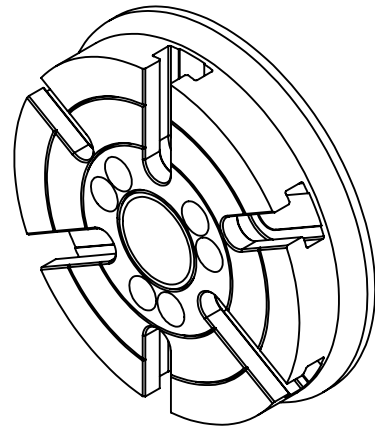
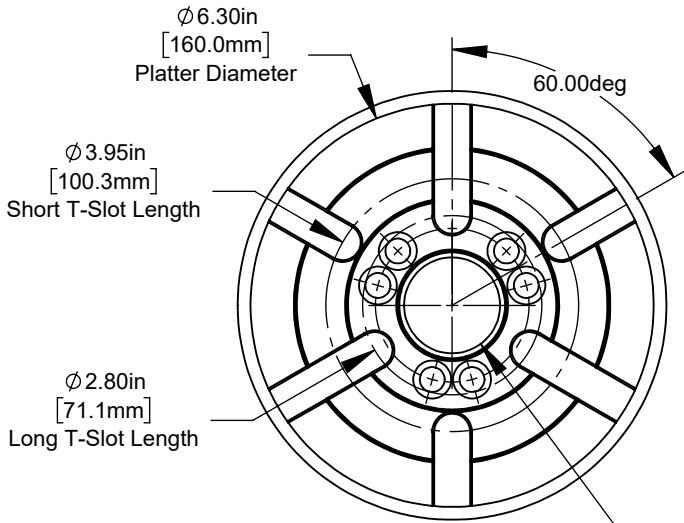
2X $\phi .50in^{+.001}_{-.000}$ [12.7mm^{+0.025}_{0.000}] $\nabla .30in$ [7.6mm]
Dowel Pin Holes

.629in [16.0mm] Locating Key

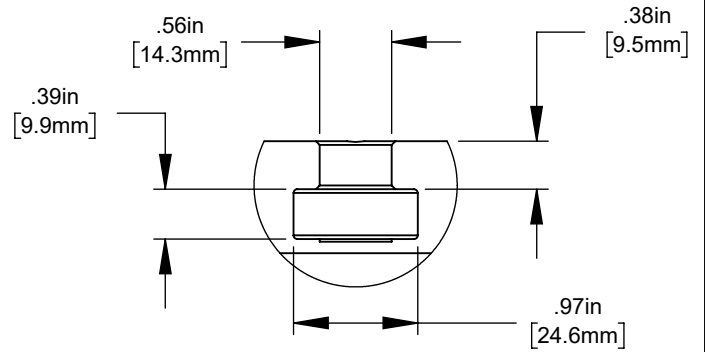
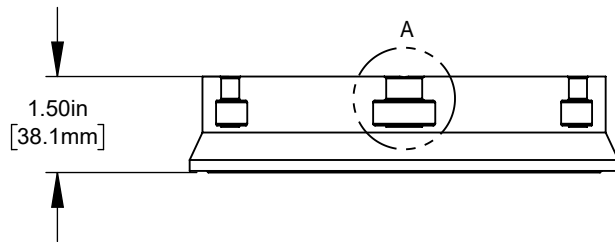


4X $\phi .42in$ [10.7mm] $\nabla .86in$ [21.9mm]
1/2-13 UNC $\nabla .63in$ [16.0mm]
Threaded Holes





Ø 1.50in^{+0.0005}_{-.0000}
[38.1mm^{+0.0127}_{0.0000}]
Thru Bore



DETAIL A
SCALE 1 : 1.5